

UPWARD-COILING SECURITY GRILLE SYSTEMS



PRODUCT LINE

STANDARD UPWARD-COILING GRILLE

SPRINGLESS ROLLING GRILLE

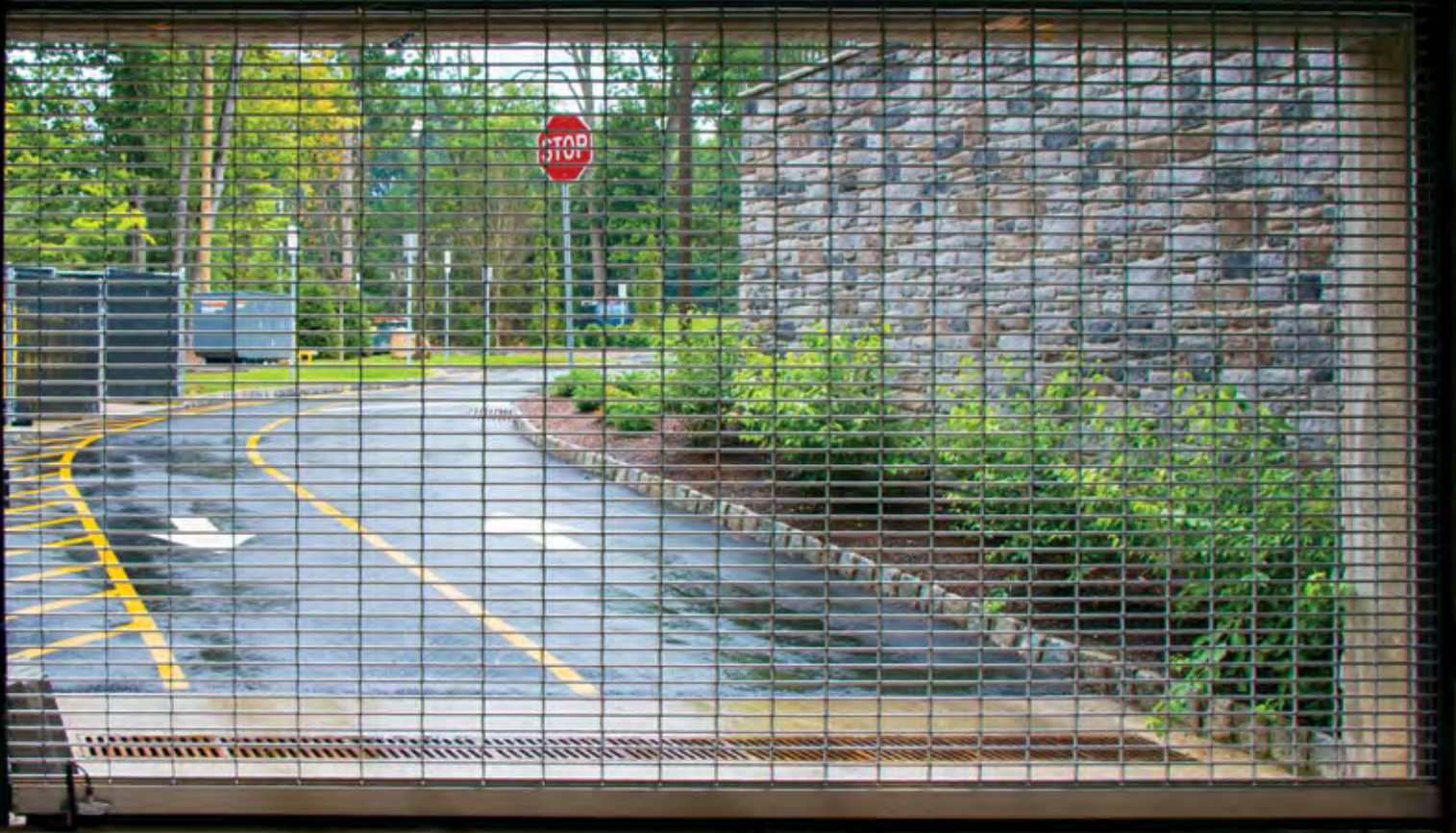
MODELS

670/671/674

671S



INDUSTRY LEADING
COMMERCIAL & INDUSTRIAL SOLUTIONS



General Features and Benefits

Our Upward-Coiling Security Grilles provide an array of attractive solutions for a spectrum of retail, commercial and industrial applications.

We offer a complete line of upward-coiling grilles. Constructed of aluminum, stainless or galvanized steel – with optional electric motor – these grilles are designed for durability and easy operation.

Backed by the best service company in the industry, a market-leading warranty and over 400 Overhead Door™ Distributors nationwide – our comprehensive line of security grilles affords both reliable security and peace of mind.



Model 671, NY ZOO



Model 670. Installation and Service: Overhead Door Company of New York™

General Specifications

Specifications	Model 670	Model 671	Model 674	Model 671S
Operation				
Manual push-up	Standard	Standard	Standard	
Chain hoist	Option	Option	Option	
Crank	Option	Option	Option	
Electric operator	Option	Option	Option	Standard
Curtain material/finish				
Galvanized steel		Standard		Standard
Aluminum mill finish	Standard			
Aluminum clear anodized	Option		Standard	
Powder coat to match aluminum bronze anodized	Option			
Stainless steel #4		Option		
Stainless steel #2B		Option		
PowderGuard®	Option	Option	Option	
Pattern				
Straight lattice	Standard	Standard		Standard
Straight lattice with polycarbonate inserts	Option	Option		
Brick	Option	Option		Option
Perforated slat			Standard	
Emergency Egress				
Manual release	Option	Option		Standard
Automatic release	Option	Option		
Locking*				
Slide bolt	Standard with Pushup or Crank	Standard with Pushup or Crank		
Locking bottom bar w/ cylinder or thumb turn	Option	Option	Standard	
Chain lock	Option	Option		
Security rods	Option	Option		
Interlocks	Option	Option	Option	
Lock links (with automatic EEG)	Standard	Standard		
Hood				
Galvanized steel	Option	Option	Option	Standard
Aluminum mill finish	Option			Option
Aluminum clear anodized	Option		Option	Option
Powder coat to match aluminum bronze anodized	Option		Option	Option
Stainless steel #4	Option	Option		Option
Stainless steel #2B				
PowderGuard®	Option	Option	Option	Option

* Check with local authorities having jurisdiction regarding locking mechanisms when using emergency egress operation.



Model 674, perforated.

MODELS 670/671/674

These grilles provide an attractive yet functional means to secure areas where public access must be restricted, without blocking air, light or sight. A wide range of options make these grilles an ideal choice for interior or exterior use in a variety of retail, industrial and commercial settings.



Standard Features at a Glance

Operation	Manual unless size requires chain hoist
Curtain	
Material/Finish	670: aluminum, mill finish 671: galvanized steel or optional stainless steel (2B or 4) 674: aluminum, clear anodized
Pattern	670/671: straight lattice (standard); staggered brick; straight with polycarbonate panels 674: perforated aluminum panels
Bottom bar	670: Extruded aluminum, mill finish 671: Double angle galvanized steel 674: Extruded aluminum, clear anodized
Guide type	Guide channels are extruded aluminum with continuous wear strips; 670/671 mill finish; 674 clear anodized; Wall angles and any pack-out angles are steel with black powder coat finish
Mounting	Interior face of wall is standard Between jamb option available
Brackets	Steel with black powdercoat finish
Pipe	Steel sized for maximum deflection of .03" per linear foot
Springs	Oil tempered, 20,000 cycle, torsion springs
Locking	670/671: Slide bolt for manual and crank operation; chain lock for chain hoist operation 674: Center locking bottom bar, with 1/2" diameter steel throw rods; Comes standard with cylinder locks on both sides or thumb turn on secured side
Warranty	12 month limited

Options

Operation: Electric operator, chain hoist, removable awning crank

Electric operator with automatic emergency egress (670, 671); compliant with IBC 1008.1.4.4 & NFPA 101

Controls: Card reader, keypad access

Hood: Primed galvanized or stainless steel, mill finish or clear anodized aluminum

Fascia or back hoods: Primed galvanized or stainless steel, mill finish or clear anodized aluminum

Optional guide finishes: clear or bronze anodized, stainless steel

PowderGuard® premium powder coat paint finish in approximately 200 standard colors, or color-matched to specification available on hood, curtain, bottom bar, guides, headplates. For a smooth, durable finish consider powder coat to match aluminum clear or bronze anodized.

PowderGuard® Zinc and PowderGuard® Textured finishes

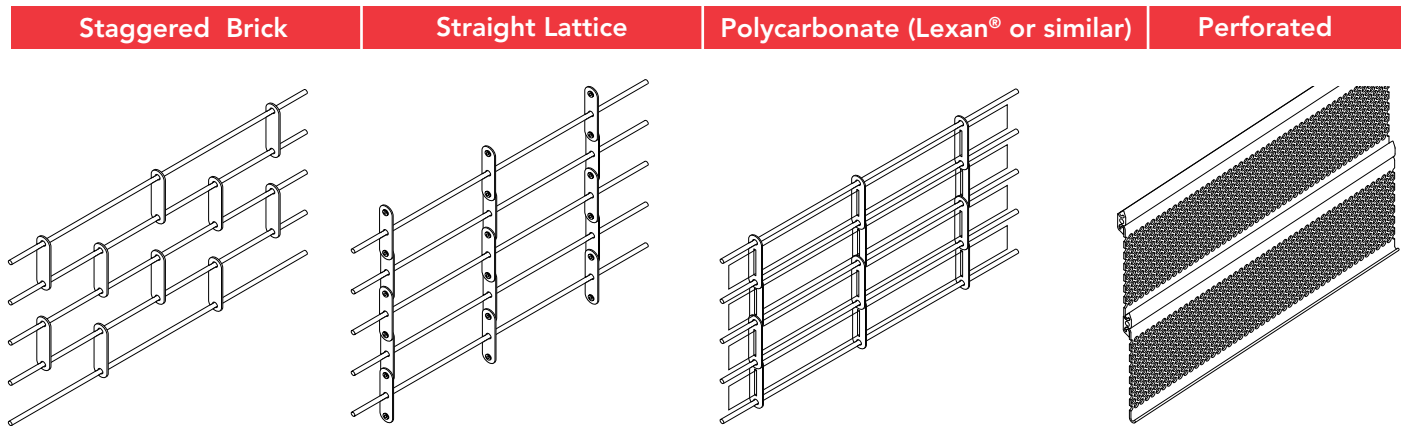
Heavy usage package (670/671)

Locking options include cylinder locks, slide bolts (670, 671), security rods (670, 671), interlocks

Fire retardant polycarbonate panels



Grille Patterns



Note: These products allow air infiltration and are not weather tight.

Benefits

Choice of aluminum, galvanized or stainless steel

The Model 670 features an aluminum curtain, with optional fire-retardant polycarbonate inserts.

The Model 671 is fabricated of galvanized steel. Stainless steel and fire retardant polycarbonate inserts are also options. The standard curtain pattern for both the Model 670 and 671 is a straight lattice configuration. A staggered brick design is optional.

The Model 674 features a perforated aluminum curtain that provides increased security, visibility and light infiltration in an attractive design. Ideal for interior applications, the aluminum construction of the Model 674 is lightweight - while the perforated design enhances security without hindering air infiltration and visibility.

High-performance, low maintenance

The counterbalance assembly features heavy-duty helical torsion springs in a steel tube or pipe barrel to provide long and reliable service. Guides feature silicon woolpile strips or PVC inserts for ease of operation and noise reduction. Surfaces are factory pre-finished to minimize field preparation and enhance the durability of the finish. Optional crank or electric motor further simplifies grille operation. An optional heavy usage package (670, 671) provides extended life in applications requiring higher cycles, such as parking garages and service access gates.

Optional electric operation

Available with an electric operator to provide automatic passage for a variety of commercial and industrial uses, including schools, hospitals, libraries, public access buildings and parking garages.

Our commercial operators are designed to work with these grilles to ensure precise, smooth and safe operation.

Options include:

- Entrapment protection, including monitored photocells or monitored safety edge
- Emergency egress operator allows for remote activation and notification of power failure
- Push-button, key or combination stations; surface or flush-mounted for interior or exterior locations
- Vehicle detectors, key card readers, door timer controls
- Treadle or pull-switch stations
- Keypad entry

Emergency egress options

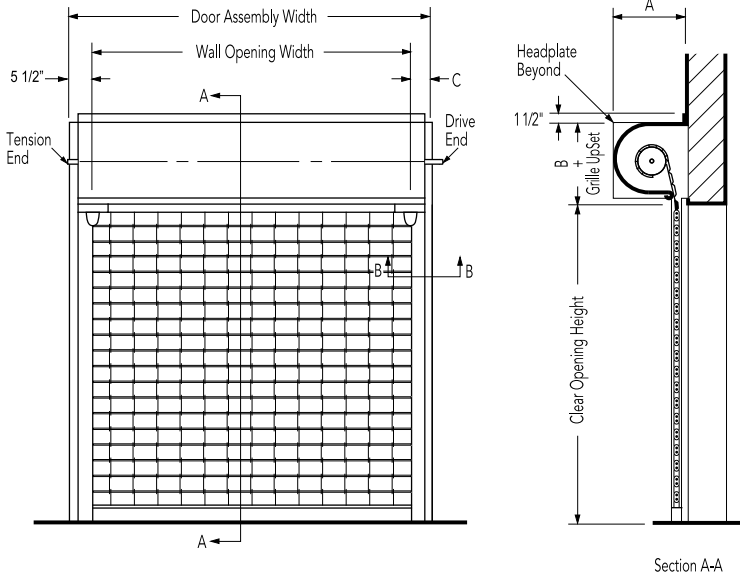
For public building applications an emergency egress may be necessary to prevent entrapment in the event of emergency or power failure. Hospitals, schools, office buildings and libraries are ideal for adding this safety option to the door system. In the event of an alarm condition or power failure, the emergency egress operator option allows for safe pedestrian exit. This feature avoids entrapment as well as provides immediate access to emergency personnel. We offer two ways to implement the emergency egress option. Both methods meet IBC 2018 402.8.8 Security Grilles and Doors, IBC 2018 1010.1.4.5 Security Grilles, and DASMA TDS355 Access Controlled Egress Doors standards. One option is the auto unlock and auto release option using an egress electric operator system designed specifically to work with Overhead Door™ emergency egress (670, 671). The other option is the auto unlock and manual release which can be operated with standard and heavy-duty Overhead Door® commercial operators.

Face-of-wall Mounted

Grille clearance elevation Headroom and sideroom clearance dimensions

Operation: Push-up, chain hoist, crank or electric.

For clearance details on electrically operated grilles, see motor operator details on page 15.

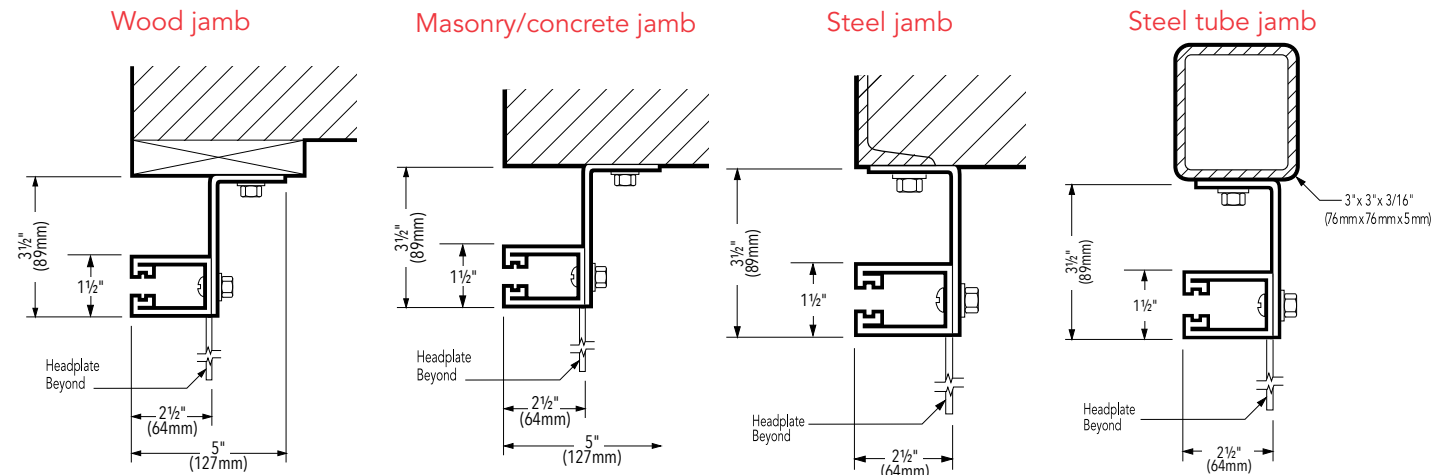


Dimensions A and B	Models 670/671	
Opening Height	A	B
Thru 6'7" (2006 mm)	15" (381 mm)	16" (406 mm)
Thru 10'10" (3302 mm)	17" (432 mm)	18" (457 mm)
Thru 15'10" (4826 mm)	19" (483 mm)	20" (508 mm)
Thru 19'6" (5944 mm)	21" (533 mm)	22" (559 mm)
Thru 22'6" (6858 mm)	23" (584 mm)	24" (610 mm)
Thru 24'0" (7315 mm)	25" (609 mm)	26" (660 mm)

Grille Upsets	Models 670/671			
	Manual w/o weather strip	Manual with weather strip	Electric w/o safety edge	Electric with safety edge
Double angle bottom bar	1 3/4" (45 mm)	2 3/4" (70 mm)	3 3/4" (95 mm)	5 1/4" (133 mm)
Tubular	2 1/2" (64 mm)	3 3/4" (95 mm)	4 3/4" (121 mm)	6 1/4" (159 mm)
Extruded "T"	1 3/4" (45 mm)	2 3/4" (70 mm)	3 3/4" (95 mm)	5 1/4" (133 mm)

Dimension C	Models 670/671	
Operation	C	Add to A
Chain STD	9 1/4" (235 mm)	
F.O.H. chain	5 1/2" (140 mm)	+12" (305 mm)
Awning crank	5 1/2" (140 mm)	+10" (254 mm)
Push-Up	5 1/2" (140 mm)	
Electric model RMZ®	9 1/4" (235 mm)	
Electric model RSX®	9 1/4" (235 mm)	
Electric model RHX® (standard mounting)	7" (178 mm)	
Electric model RHX® (3" sideroom bracket mounting)	5 1/2" (140 mm)	

Face-of-wall mounted guide details (Section B-B)



Steel tube requires coping out for drive clearance on crank or motor operated grilles.

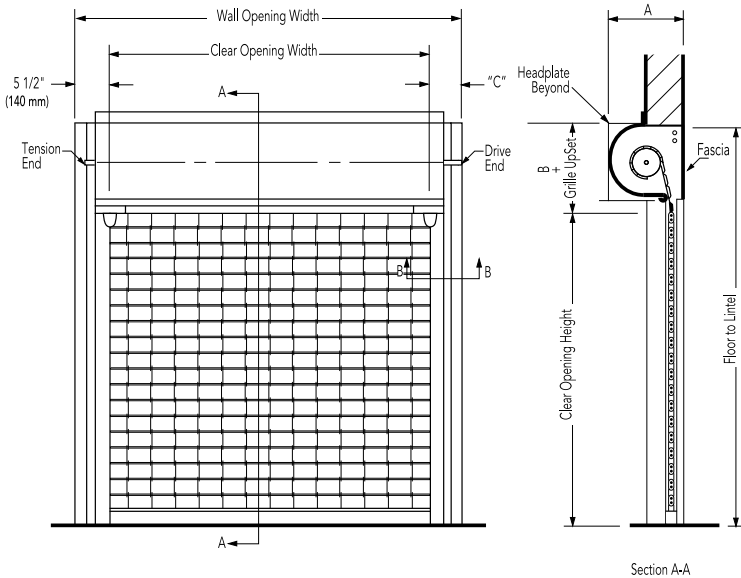


Between Jamb Mounted

Grille clearance elevation Headroom and sideroom clearance dimensions

Operation: Push-up, chain hoist, crank or electric.

For clearance details on electrically operated grilles, see motor operator details on page 15.

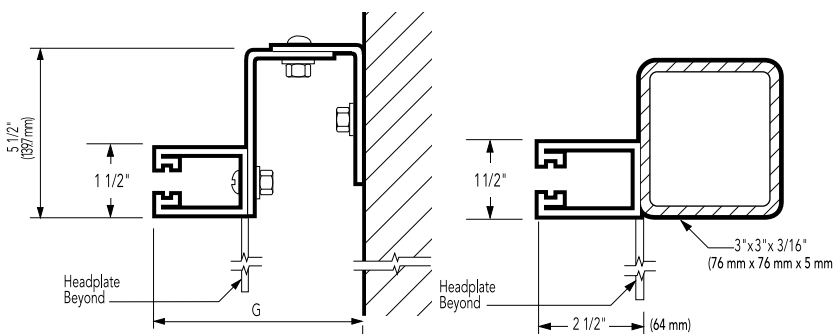


Dimensions A and B	Models 670/671	
Opening Height	A	B
Thru 6'7" (2006 mm)	15" (381 mm)	16" (406 mm)
Thru 10'10" (3302 mm)	17" (432 mm)	18" (457 mm)
Thru 15'10" (4826 mm)	19" (483 mm)	20" (508 mm)
Thru 19'6" (5944 mm)	21" (533 mm)	22" (559 mm)
Thru 22'6" (6858 mm)	23" (584 mm)	24" (610 mm)
Thru 24'0" (7315 mm)	25" (609 mm)	26" (660 mm)

Grille Upsets	Models 670/671			
	Manual w/o weather strip	Manual with weather strip	Electric w/o safety edge	Electric with safety edge
Double angle bottom bar	1 3/4" (45 mm)	2 3/4" (70 mm)	3 3/4" (95 mm)	5 1/4" (133 mm)
Tubular	2 1/2" (64 mm)	3 3/4" (95 mm)	4 3/4" (121 mm)	6 1/4" (159mm)
Extruded "T"	1 3/4" (45 mm)	2 3/4" (70 mm)	3 3/4" (95 mm)	5 1/4" (133 mm)

Dimension C	Models 670/671	
Operation	C	Add to A
Chain STD	9 1/4" (235 mm)	
F.O.H. chain	5 1/2" (140 mm)	+12" (305 mm)
Awning crank	5 1/2" (140 mm)	+10" (254 mm)
Push-Up	5 1/2" (140 mm)	
Electric model RMX®	9 1/4" (235 mm)	
Electric model RSX®	9 1/4" (235 mm)	
Electric model RHX®	5 1/2" (140 mm)	

Between jambs mounted guide details (Section B-B) Door clearance dimensions



Dimension G*	Models 670/671
Operation	G
F.O.H. chain	5 1/2" (140 mm)
Awning crank	5 1/2" (140 mm)
Push-Up	5 1/2" (140 mm)
Electric model RSX®	9 1/4" (235 mm)
Electric model RHX®	5 1/2" (140 mm)

Steel tube requires coping out. Consult factory for dimensions.

* For max. door opening height

MODELS 671S

Provides customers with high cycle performance, security, durability, maximized air movement and visual access while delivering a reliable system, minimizing downtime with ease of serviceability. The springless design builds on the proven construction of the Overhead Door™ Rolling Security Grille line, adding significant enhancements to provide 15 times the standard cycle life.



Standard Features at a Glance

Max. height	14'4" (4,369 mm)*
Max. width	30'0" (9,144 mm)*
Curtain	Galvanized steel links and solid rods with mill aluminum spacer tube
Curtain pattern	Straight lattice 9" center vertical links with 2" center rod spacing
Door roll	Directly driven, springless roll with integral shaft; Self-aligning greaseable sealed bearings; Door does not require counterbalance device
Hood	24-gauge galvanized steel primed; Matching motor and end cover provided
High Usage Guides	Three structural steel angles with UHMW wear strips and PowderGuard® Premium powder coat finish in black
Bottom bar	Tubular extruded aluminum with mill finish
Standard mounting	Interior or exterior face of wall
Operation	Direct drive integrated gear/motor/brake assembly; drive assembly and limit sensors are factory pre-assembled; Manual hand chain for power outage. Horsepower is appropriate to door size/weight; 230V AC 3-phase motor
Control panel	Electronic controller with microprocessor self-diagnostics. Digital readout indicates door action, alarm conditions, and fault conditions. Time delay self-close timer and non-resettable cycle counter is included. Enclosure is IP54 rated (NEMA 3 equivalent).
Actuator	Single open/close/stop push button station incorporated into control panel
Safety features	Built-in braking mechanism; Photoelectric safety sensors with guards
Limited warranty	24 month, 300,000 cycles

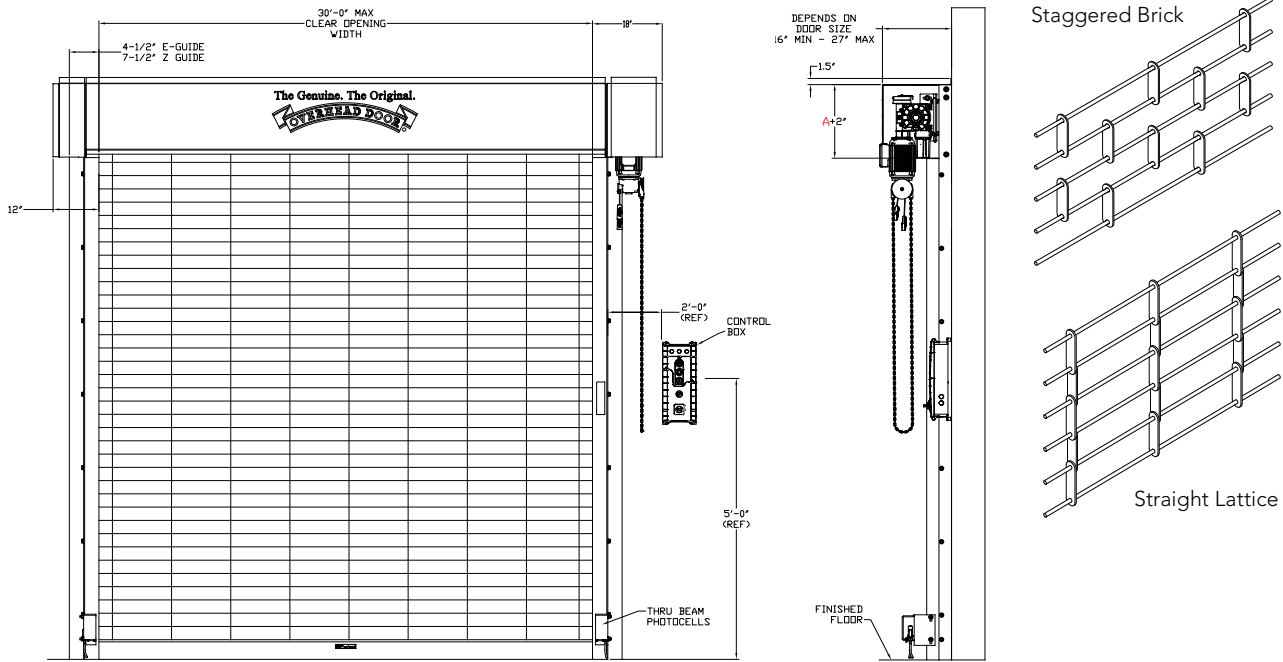
Options

Motor options**	208V AC 1PH+, 220V AC 1PH, 208V AC 3PH+, 230V AC 3PH, 460V AC 3 PH+, 575V AC 3PH+ (+ Requires stand-alone mounted transformer; provided based on desired voltage consult factory.)
Curtain pattern	Brick 9" on center vertical links with 2" on center rods spacing
Curtain material	Mill aluminum link, galvanized steel solid rod, with mill aluminum spacer tube; Clear anodized aluminum link, galvanized steel solid rod, and clear anodized aluminum spacer tube; #4 or #2B stainless steel link, solid rod, and spacer tube and PowderGuard® Premium finish.
Guides	PowderGuard® Premium finish, PowderGuard® Zinc or Textured finish
Hood	PowderGuard® Premium or PowderGuard® Textured finish; stainless steel with #4 brush finish; anodized or mill finish aluminum
Safety devices	Monitored electric sensing edge; additional set of photoelectric sensors
Control panel	IP65 (NEMA 4/4X equivalent) control panel
Actuators	Push buttons, loop detectors, radio control, motion detectors or any combination thereof available for door operation/control

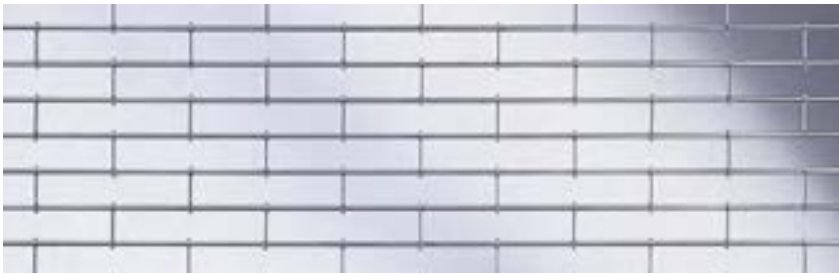
* Dependent upon the curtain material and pattern. Consult factory for sizes not listed above.
 ** If the voltage is too low a transformer may be needed. Larger doors may not be available with 1-phase power. Consult factory for information.



Grille Data and Pattern



Wall opening height	Dimension A
Thru 6'	14"
Thru 10'	16"
Thru 14'	18"



Staggered Brick pattern

Benefits

- Springless operation eliminates the need for a counterbalance
- 300,000 cycle life performance and functionality with minimum maintenance requirements
- The continuous rod curtain design combined with the high strength curtain materials increases the durability and security of this grille system
- Universal components for ease of maintenance
- Floor-level controller for ease of access control and maintenance
- Direct drive integrated gear/motor/brake assembly; built-in braking mechanism provides additional peace-of-mind against uncontrolled curtain travel
- Field-installable accessories such as radio controls or motion detectors to match a wide range of application requirements
- 24 month limited warranty on door system

Electric Operators

We offer a broad line of electric operators to suit new construction and retrofit applications, as well as unusual or special requirements. In order to improve safety and enhance door and motor life, industry quality assurance guidelines recommend the choice of a single manufacturer for both door and operator applications.

We are one of the only national manufacturers to offer a full line of commercial and industrial doors and operators specifically designed for integral applications.

Model RHX®

Model RHX® is a heavy duty commercial operator designed to operate grilles up to 24' (7315 mm) in height and 3696 pounds (1676 kg).

Model RSX®

Model RSX® is a standard duty commercial operator designed to operate grilles up to 24' (7315 mm) in height and 1620 pounds (735 kg). It offers unique features like LimitLock®, SuperBelt™ and 16 digit menu setup.

Model RMZ®

Model RMZ® Hoist is designed for high or full-lift sectional and rolling doors that have a limited duty cycle requirement. Advanced features and robust mechanical design combine to provide a medium duty operator that is the new standard in the industry.

Model CDX®

Model CDX® is a gear-reduced commercial operator with a 1/2 HP motor. It may be used for grilles up to 140 sq. ft. (13006 sq.mm). Mounting is front-of-hood only.



Operator Control Options

- Entrapment protection: monitored electric sensing edge or photoelectric sensors
- Ground-level chain hoists for emergency or hand operation standard on Model RMZ®
- Push-button, key or combination stations; surface-or flush-mounted for interior and/or exterior locations
- Vehicle detectors, photocell and door timer controls
- Treadle or pull switch stations
- Wireless keypad entry
- Universal programmable door timer

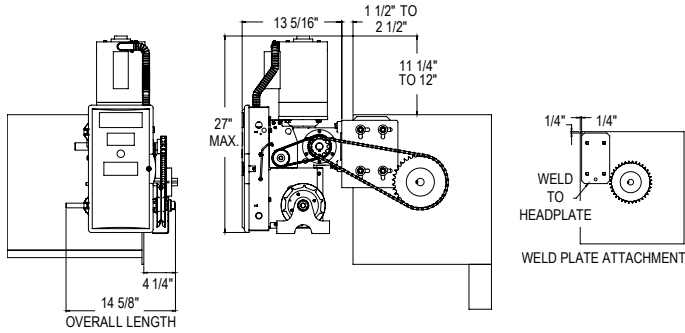
Safety and Entrapment Recommendations

We strongly recommend the use of interlock switches, an electrically-controlled emergency egress option, and a monitored electric safety edge for all electrically operated upward coiling grilles. If a sensing edge or other reversing device is not installed, a constant-contact control switch will be used to close the grille. We recommend a self-monitoring, two-wire, fail-safe electric sensing edge.

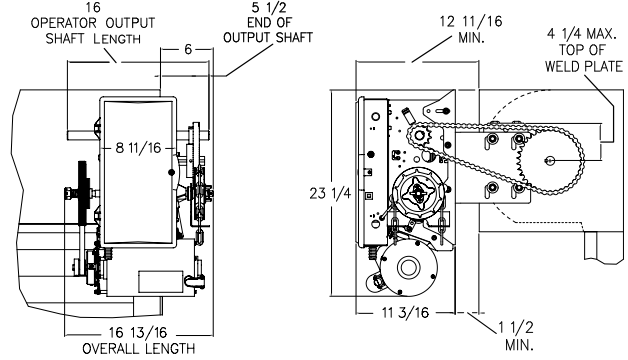


Mounting Details

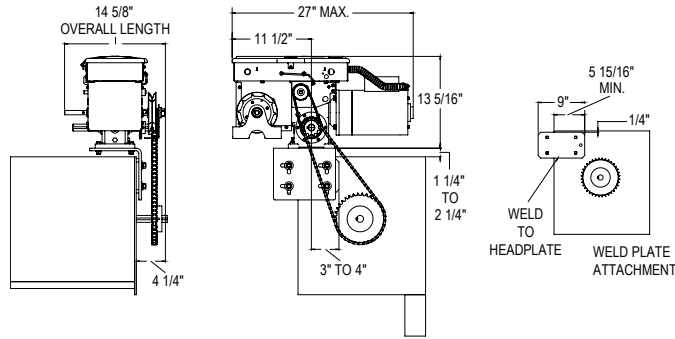
Front-of-hood mounted -RHX®



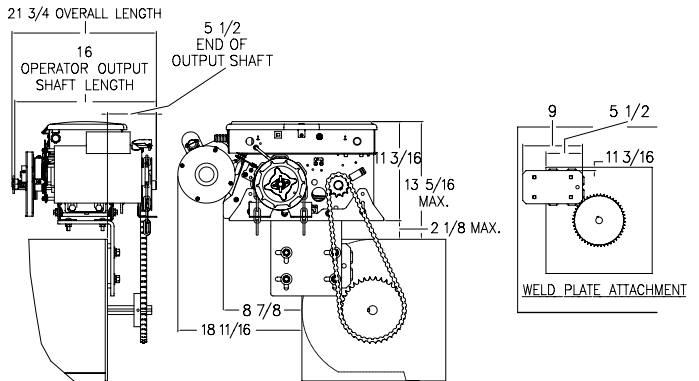
Front-of-hood-RSX®



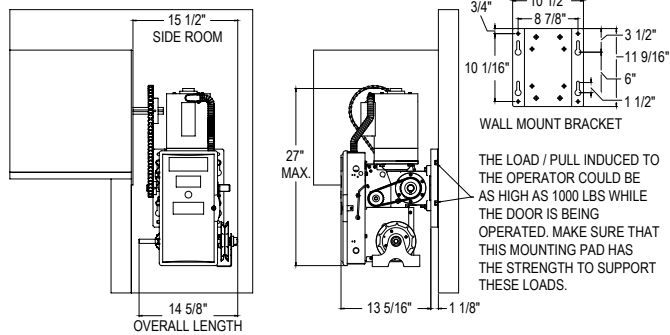
Top-of-hood mounted -RHX®



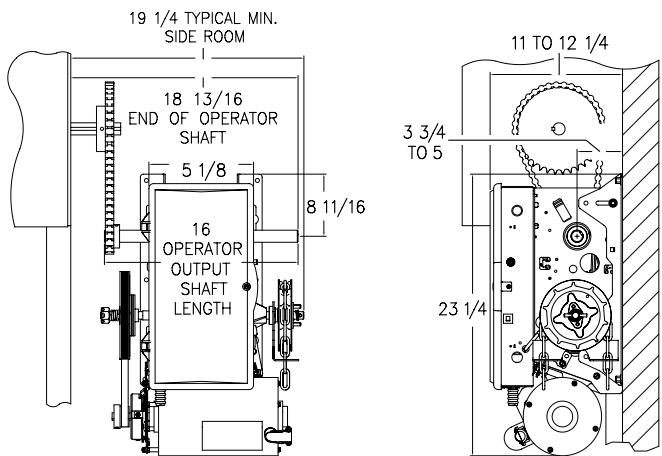
Top-of-hood-RSX®



Wall mounted (below shaft)-RHX®



Wall mount-RSX®



Note: For "A" and "G" dimensions, refer to Headroom and Guide Clearance. Dimension charts applicable to grille type selected.
 * Front-of-Hood mounted also available on between jambs mounted grilles.

For more detailed information, visit our Architects Corner at overheaddoor.com/architect-corner or consult your local Overhead Door™ Distributor.



Model 670, black, anodized.



Architect's Corner

A resource for architects, containing comprehensive technical and resource materials to support your project, including drawings and specifications for commercial doors.

www.overheaddoor.com

The original, innovative choice for unequalled quality and service.

Overhead Door Corporation pioneered the sectional garage door industry, inventing the first sectional garage door in 1921 and the first electric door operator in 1926. Today, we continue to be the industry leader through the strength of our product innovation, superior craftsmanship and outstanding customer support, underscoring a legacy of quality, expertise and integrity. That's why design and construction professionals specify Overhead Door™ products more often than any other brand. Our family of over 400 Overhead Door™ Distributors across the U.S. and Canada not only share our name and logo, but also our commitment to excellence.



INDUSTRY LEADING
COMMERCIAL & INDUSTRIAL SOLUTIONS

2501 S. State Hwy. 121 Bus., Suite 200, Lewisville, TX 75067
1-800-929-DOOR • sales@overheaddoor.com
overheaddoor.com

SIDE-FOLDING SECURITY GRILLES



PRODUCT LINE

SIDE-FOLDING FULL CLOSURE GRILLE

SIDE-FOLDING OPEN AIR GRILLE

MODELS

675/677/678/679

681/683



INDUSTRY LEADING
COMMERCIAL & INDUSTRIAL SOLUTIONS



General features and benefits

Our Side-Folding Security Grilles provide an array of attractive solutions for a spectrum of retail, commercial and industrial applications.

Our side-folding grilles boast the shortest stacking dimension of any grille available today and feature a clear anodized finish in a variety of patterns and colors. Backed by the best service company in the industry, a market-leading warranty and over 400 Overhead Door™ Distributors nationwide – our comprehensive line of security grilles affords both reliable security and peace of mind.

Cover image: Model 675 Slim

Above image: Model 675, Side-Folding Full Closure Grille, Slim



Model 683 ,Side-Folding, Open Air Grille

General specifications

Specifications	Full-closure				Open-air	
	Model 675	Model 677	Model 678	Model 679	Model 681	Model 683
Operation	Manual	Manual	Manual	Manual	Manual	Manual
Curtain insert						
Glass			Standard			
Polycarbonate		Standard				
Aluminum				Standard	Standard	Standard
Perforated steel	Standard					
Curtain frame and panels	Aluminum	Aluminum	Aluminum	Aluminum	Aluminum	Aluminum
Frame width						
Standard body	7" (178 mm)	7" (178 mm)	7" (178 mm)	7" (178 mm)	7" (178 mm)	7" (178 mm)
Slim body	4" (102 mm)	4" (102 mm)	4" (102 mm)	4" (102 mm)	4" (102 mm)	4" (102 mm)
Track (mount)	Top	Top	Top	Top	Top	Top
Track material	Aluminum	Aluminum	Aluminum	Aluminum	Aluminum	Aluminum
Maximum height	14' (4267 mm)	14' (4267 mm)	12' (3658 mm)	14' (4267 mm)	14' (4267 mm)	14' (4267 mm)
Standard finish	Clear anodized	Clear anodized	Clear anodized	Clear anodized	Clear anodized	Clear anodized
Special track curves	Option	Option	Option	Option	Option	Option
Special radii	Option	Option	Option	Option	Option	Option
Emergency Egress Door	Option	Option	Option	Option	Option	Option

MODELS 675/677/678/679

Ideal for applications that require a secure barrier against theft and debris, such as retail applications in malls, airports and concourses. These models include four panel materials: painted perforated steel for full ventilation; clear polycarbonate for visual access and nonbreakable durability; tempered glass for a crystal-clear view; and full-height aluminum for maximum security.



Model 677, Open Air Grille, Straight

Standard features at a glance

Operation	Manual
Curtain	
Frame	Truss-like aluminum top and bottom plates; 1/8" (3 mm) thick
Panel width	7" (178 mm) standard body; 4" (102 mm) slim body
Finish	Aluminum clear anodized
Track	
Trolley assembly	1 1/8" (29 mm) Vertical adjustment 1" (25 mm) up/down without curtain removal
Track detail	Top-mounted, heavy-duty aluminum sections Height: 1 5/8" (41 mm) Width: 1 3/8" (35 mm)
Curves	90°: Standard body: 14" (356 mm) radius; Slim body 10" (254 mm) radius 120°, 135° and 150°: Standard and Slim body: 10" (254 mm) radius
Radius	14" (356 mm) Standard body; 22" (559 mm) wide body. Custom upon request

Post types

Lead post	Hook lock and wall channel; bi-part; top and bottom shoot bolts
Intermediate post	Bottom shoot bolt
Trailing end post	Traveling; fixed; hook lock and wall jamb; top and bottom shoot bolts; carrier

Locking mechanisms	
Lead post	Concealed cylinder-operated hook lock accessible from interior and exterior
Intermediate post	Concealed cylinder-operated shoot bolt accessible from one side only
Trailing end post	Attached 10' max. (3048 mm) protection plate self-locking into a steel V-Stop
Warranty	24 month OEM limited

Options

- Custom radii and curves
- Emergency egress door

Note: All post types can be used in multiple positions as need dictates and allows.



Grille patterns

Model 675 Standard body



Curtain: 7" (178 mm) standard width, 0.05" (1.27 mm) perforated aluminum panels with $\frac{3}{16}$ " (5 mm) dia. holes on $\frac{1}{4}$ " (6 mm) staggered centers that slide into aluminum hinges. Panels are framed by min. 4" (102 mm) high aluminum bottom plates and top plates.
Visibility: 51% of 6 $\frac{1}{8}$ " (156 mm) viewable area.
Max width: Unlimited
Max height: 168" (4267 mm)

Model 675 Slim body



Curtain: 4" (102 mm) standard width, 0.05" (1.27 mm) perforated aluminum panels with $\frac{3}{16}$ " (5 mm) dia. holes on $\frac{1}{4}$ " (6 mm) staggered centers that slide into aluminum hinges. Panels are framed by min. 4" (102 mm) high aluminum bottom plates and top plates.
Visibility: 51% of 3 $\frac{1}{2}$ " (89 mm) viewable area.
Max width: Unlimited
Max height: 168" (4267 mm)

Model 677 Standard body



Curtain: 7" (178 mm) standard width, $\frac{1}{16}$ " (1 mm) thick fire-retardant polycarbonate that fit into aluminum hinges. Panels are framed by min. 4" (102 mm) high aluminum bottom plates and top plates.
Visibility: 100% of 6 $\frac{1}{8}$ " (156 mm) viewable area.
Max width: Unlimited
Max height: 168" (4267 mm)

Model 677 Slim body



Curtain: 4" (102 mm) slim width, $\frac{1}{16}$ " (1 mm) thick fire-retardant polycarbonate that fit into aluminum hinges. Panels are framed by min. 4" (102 mm) high aluminum bottom plates and top plates.
Visibility: 100% of 3 $\frac{1}{2}$ " (89 mm) viewable area.
Max width: Unlimited
Max height: 168" (4267 mm)

Model 678 Standard body



Curtain: 7" (178 mm) standard width, $\frac{1}{8}$ " (3 mm) thick tempered glass that fit into aluminum hinges. Panels are framed by min. 4" (102 mm) high aluminum bottom plates and top plates.
Visibility: 100% of 5 $\frac{3}{8}$ " (137 mm) viewable area.
Max width: Unlimited
Max height: 144" (3658 mm)

Model 679 Standard body



Curtain: 7" (178 mm) standard width, 0.078" (2 mm) thick solid aluminum that fit into aluminum hinges. Panels are framed by min. 4" (102 mm) high aluminum bottom plates and top plates.
Visibility: 0% of 6 $\frac{1}{8}$ " (156 mm) viewable area
Max width: Unlimited
Max height: 168" (4267 mm)

Model 679 Slim body



Curtain: 4" (102 mm) standard width, 0.07" (1.78 mm) thick solid aluminum that fit into aluminum hinges. Panels are framed by min. 4" (102 mm) high aluminum bottom plates and top plates.
Visibility: 0% of 3 $\frac{1}{2}$ " (89 mm) viewable area
Max width: Unlimited
Max height: 168" (4267 mm)

MODELS 681/683

For applications when security is a priority, but you want to maximize air circulation, light infiltration and visual access to interior spaces. These grilles secure premises and guard against theft and debris with superior compactness and nearly endless design possibilities.



Model 681, Full Closure Grille, Standard

Standard features at a glance

Operation	Manual
Curtain	
Frame	Truss-like aluminum top and bottom plates; 1/8" (3 mm) thick
Panel width	7" (178 mm) standard body; 4" (102 mm) slim body
Finish	Aluminum clear anodized
Track	
Trolley assembly	1 1/8" (29 mm) Height: 1 5/8" (41 mm) Width: 1 3/8" (35 mm)
Track detail	Top-mounted, heavy-duty aluminum sections Height: 1 5/8" (41 mm) Width: 1 3/8" (35 mm)
Curves	90°: Standard body: 14" (356 mm) radius; Slim body 10" (254 mm) radius 120°, 135° and 150°: Standard and Slim body: 10" (254 mm) radius
Radius	Standard body: 10" (254 mm) radius 14" (356 mm) Standard body 22" (559 mm) wide body. Custom upon request.
Post types	
Lead post	Hook lock and wall channel; bi-part; top and bottom shoot bolts
Intermediate post	Bottom shoot bolt
Trailing end post	Traveling; fixed; hook lock and wall jamb; top and bottom shoot bolts; carrier

Locking mechanisms	
Lead post	Concealed cylinder-operated hook lock accessible from interior and exterior
Intermediate post	Concealed cylinder-operated shoot bolt accessible from one side only
Trailing end post	Attached 10' max. (3048 mm) protection plate self-locking into a steel V-Stop
Security/Safety options	Thumb-turn guards (perforated aluminum or polycarbonate)
Warranty	24 month OEM limited

Options

- Thumb-turn guards (perforated aluminum or polycarbonate)
- Anodized finish
- Vertical adjustment upward or downward
- Emergency egress door

Note: All post types can be used in multiple positions as need dictates and allows.



Grille patterns

Model 681 Standard body/Slim body

Standard body

Straight pattern and Brick pattern

Space between tubes 2 15/16" (73.5 mm)

Full panel width 7" (178 mm)

Top plate 4" (102 mm)

Top spacer tube size varies from curtain pattern to accommodate specific height

Spacer plate 1" (25.4 mm)

Spacer tube 1/2" (12.7 mm) x 12" (305 mm)

Bottom plate 4" (102 mm)

Max Width: Unlimited

Max Height: 168" (4267 mm)

Slim body

Straight pattern and Brick pattern

Space between tubes 1 9/16" (40 mm)

Full panel width 4" (102 mm)

Top plate 4" (102 mm)

Top spacer tube size varies from curtain pattern to accommodate specific height

Spacer plate 1" (25.4 mm)

Spacer tube 1/2" (12.7 mm) x 12" (305 mm)

Bottom plate 4" (102 mm)

Max Width: Unlimited

Max Height: 168" (4267 mm)

Straight pattern



Brick pattern



Model 683 Standard body

Standard body

Space between tubes 2 1/2" (63.5 mm)

Full panel width 6 5/16" (160 mm)

Top plate 5 1/4" (133 mm); 13 gauge

Top spacer tube size varies from curtain pattern to accommodate specific height

Aluminum rod 5/16" (3.17 mm)

Aluminum link 1/8" x 5/8" x 6 11/16"

(3.17 x 15.9 x 170 mm)

Spacer tube 1/2" x 12" (12.7 x 305 mm)

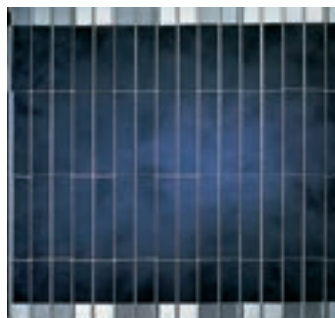
Bottom plate 5 1/4" (133 mm); 13 gauge

6" (152 mm) On Center

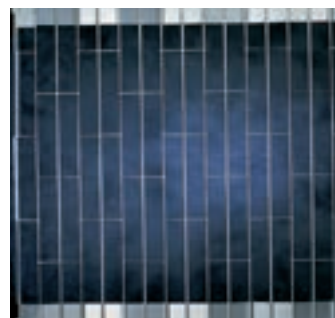
Max Width: Unlimited

Max Height: 168" (4267 mm)

Straight pattern



Brick pattern

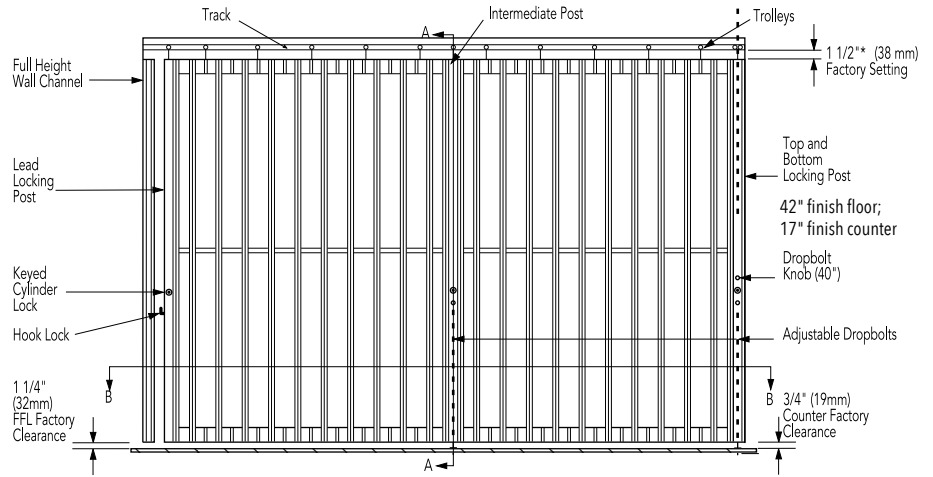


Grille clearance elevation

Note:

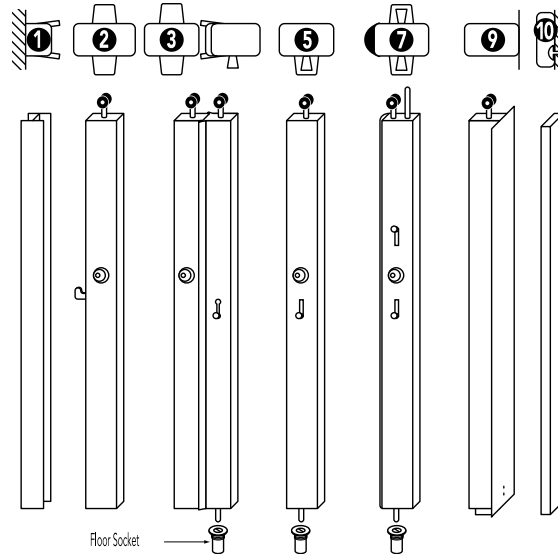
Curtain height is adjustable to a maximum of 1" (25 mm) upward, and 1" (25 mm) downward to compensate for unexpected field conditions.

*This will vary top clearance from curtain to track from 1/2" (13 mm) to 2 1/2" (63 mm)

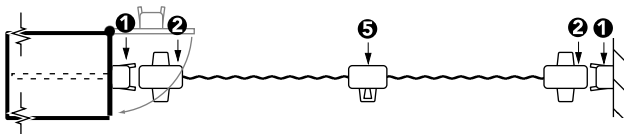


Post descriptions

- 1 Wall channel
- 2 Lead post – with cylinder/thumb-turn interior/ exterior hook bolt lock
- 3 Bi-part – with cylinder/thumb-turn interior/ exterior and drop rod
- 5 Intermediate post – with interior cylinder lock and drop bolt
- 7 Top and bottom post – with cylinder/ thumb-turn interior/ exterior and rubber bumper protection plate
- 9 Traveling end post – with protection plate, post self locks into floor "V" stop
- 10 Fixed end post

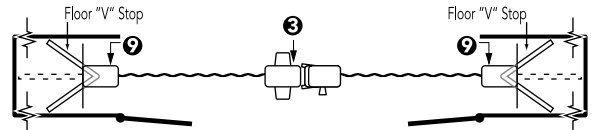


Single stack into pocket with wall channel or pocket



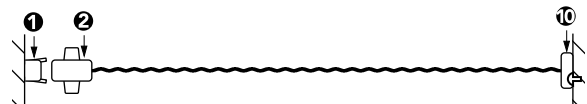
In this configuration, the traveling end post becomes a secured, keyed locking post and avoids drilling for floor socket needed by #7 post.

Bi-part, pocket both sides



Commonly used to break up large curtains or to provide a balanced look.

Stack between jambs



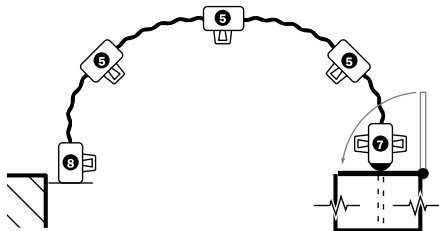
For use where there is no pocket availability.

Note: Use of #7 posts for the lead or end are a viable alternative



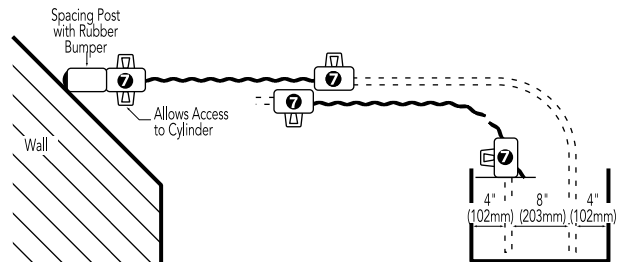
Typical layouts

Special radius curve



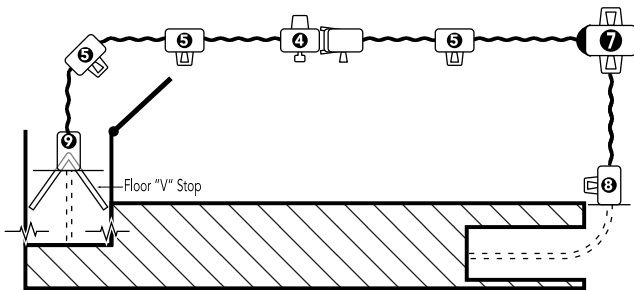
Enables the curtain to follow any lease line and adds a dramatic look to the entrance.

Dual track



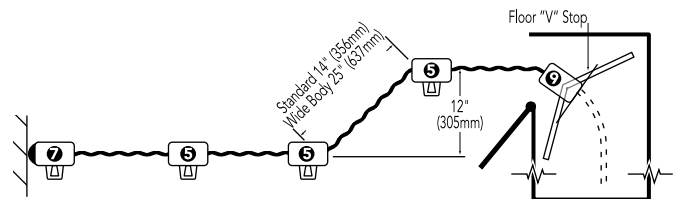
For use when minimal pocket depth is available. A top and bottom lead post with attached spacing post to an angled wall allows access to locking on the acute angle side.

90° curve with bi-part single stack into pocket



Bi-parting curtains are recommended for curtains 30' or more for ease of use.

S curve (2 135° curves) with single stack into 90° pocket

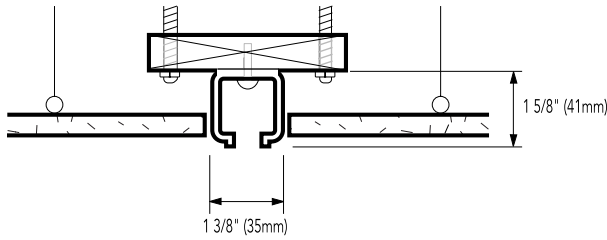


S-curves enable the curtain to avoid obstruction and provide added visual interest.

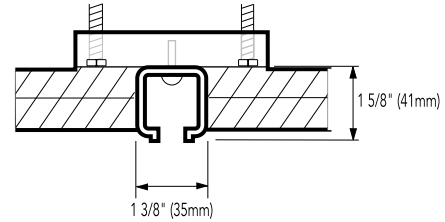
Note:
On all layout drawings, top is exterior, bottom is interior of opening.

Track details

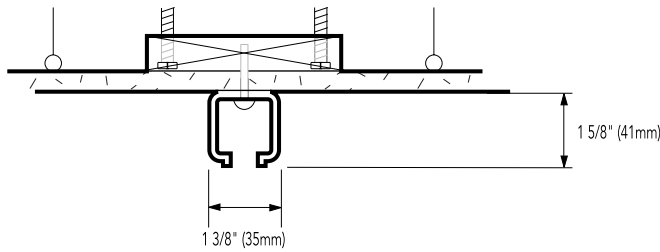
Drop ceiling recessed track



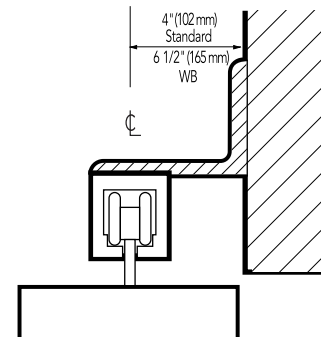
Drywall ceiling recessed track



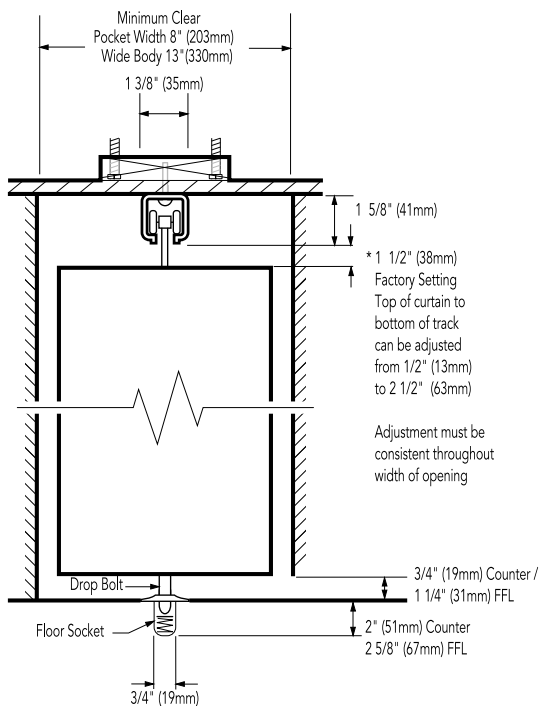
Drop ceiling surface track



Face-of-wall mount



Optional curtain height adjustment



Note:

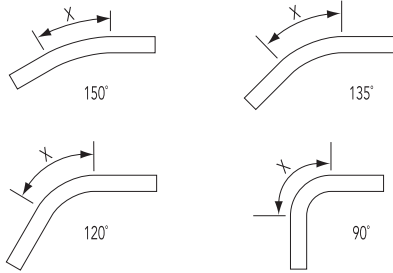
Load requirements are 3 lbs. per square foot (1.66 Kg per square meter) and 200 lbs. per linear foot (91 Kg per linear meter) stacked. Threaded rod 1/2" (13 mm) with 2" (51 mm) x 6" (152 mm) wood stud shown. Other acceptable mounts include 2" (51 mm) x 4" (102 mm) steel or wood stud. A column is not required for support. Header and supporting structure by others.

*Curtain height is adjustable up to 1" (25 mm) up or down without removal. (Optional)



Pocket details

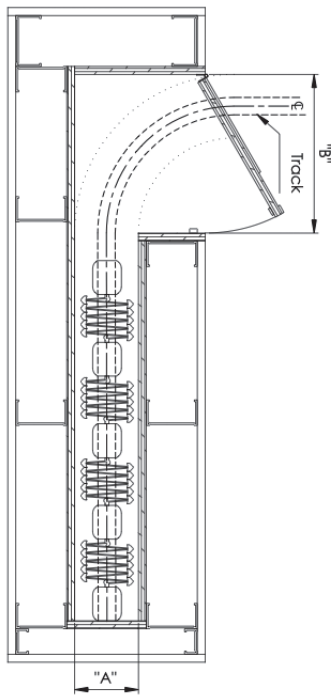
Curve details



Dimensions X		
Radius	Curve	X
10" (254 mm)	90°	16" (406 mm)
	120°	10 1/2" (267 mm)
	135°	7 15/16" (202 mm)
	150°	5 1/4" (133 mm)
14" (356 mm)	90°	22" (559 mm)
22" (559 mm)	90°	34 1/2" (876 mm)

Note: Special radius curves are available only with a template supplied. Curves cannot be smaller than 90°. Double 3/4" (19 mm) plywood eliminates problem blocking of curved layouts. Wide body models must use standard 22" radius on 90° curves. Larger special curves are also acceptable.

Minimum pocket specifications



3/4" (19 mm) per linear foot plus 3" (76 mm) for each posts.
Min. clear pocket width 13" (330 mm).

Add 3" (76 mm) per stack per locking post. Add 8" (203 mm) to stack per Emergency Egress Grille. Add 6" (152 mm) each for bi-part.
Note: The maximum space between locking posts is 10' (3,048 mm) for full height grilles, 6' (1,829 mm) on standard counter height and at center of every curve.

For more detailed information, visit our Architects Corner at overheaddoor.com/architect-corner

Standard line 90 degree 14" radius

Pocket width "A"	Minimum pocket door width "B"
8" (203 mm)	18" (457 mm)
9" (229 mm)	13 5/8" (346 mm)
10" (254 mm)	12" (305 mm)
11" (279 mm)	10 7/8" (276mm)
12" (305 mm)	10" (254 mm)
13" (330 mm)	9 5/16" (237 mm)
14" (356 mm)	8 13/16" (224 mm)
15" (381 mm)	8 7/16" (214 mm)
16" (406 mm)	8 3/16" (208 mm)
17" (432 mm)	8 1/16" (205 mm)
18" (457 mm)	8" (203 mm)

Slim line 90 degree 10" radius

Pocket width "A"	Minimum pocket door width "B"
5" (127 mm)	12 1/2" (457 mm)
6" (152 mm)	8 3/4" (346 mm)
7" (178 mm)	7 3/8" (305 mm)
8" (203 mm)	6 1/2" (276mm)
9" (229 mm)	5 7/8" (254 mm)
10" (254 mm)	7 1/4" (224 mm)
11" (279 mm)	5 1/8" (214 mm)
12" (305 mm)	5" (208 mm)



Model 675, Full closure grille



Architect's Corner

A resource for architects, containing comprehensive technical and resource materials to support your project, including drawings and specifications for commercial doors.

www.overheaddoor.com

The original, innovative choice for unequalled quality and service.

Overhead Door Corporation pioneered the sectional garage door industry, inventing the first sectional garage door in 1921 and the first electric door operator in 1926. Today, we continue to be the industry leader through the strength of our product innovation, superior craftsmanship and outstanding customer support, underscoring a legacy of quality, expertise and integrity. That's why design and construction professionals specify Overhead Door™ products more often than any other brand. Our family of over 400 Overhead Door™ Distributors across the U.S. and Canada not only share our name and logo, but also our commitment to excellence.



INDUSTRY LEADING
COMMERCIAL & INDUSTRIAL SOLUTIONS



2501 S. State Hwy. 121 Bus., Suite 200, Lewisville, TX 75067
1-800-929-DOOR • sales@overheaddoor.com
overheaddoor.com